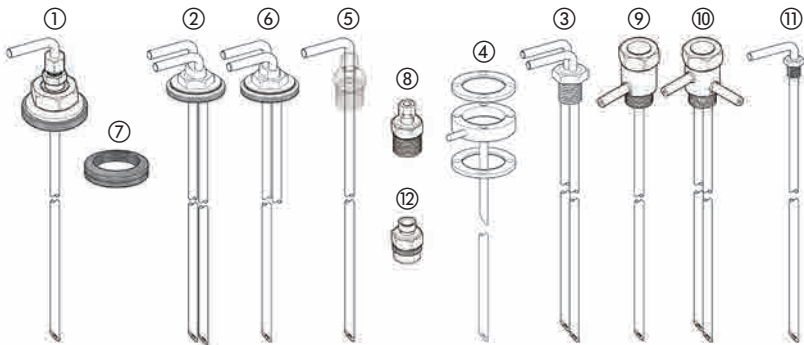


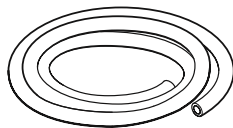
# FUEL SYSTEM

PLEASE NOTE: Refer to Fuel System Guide on page 66, to help plan your fuel system.

- Single Pick-up Pipe 2.0 mm Universal **RECOMMENDED** (Drill or 1/4" NPT fitting) (66 cm or 26")
- Single Pick-up Pipe 2.0 mm (66 cm or 26")
- Double Pick-up Pipe 2.0 mm (56 cm or 22")
- Double Pick-up Pipe 2.0 mm (1/2" NPT) (66 cm or 26")
- Fuel Pick-up pipe 2 mm W/FTNG (59.5 cm or 23.5") - Vent fitting 1/2" NPT
- Dual Vent Fuel Pick-up pipe 2.0 mm (61 cm or 26") - Vent fitting 1/2" 14 NPT
- Fuel Pick-up pipe 2.0 mm with Ring Fitting (66 cm or 24")
- Single Pick-Up Pipe 4.0 mm universal **RECOMMENDED** (Drill or 1/2" NPT fitting) (66 cm or 26")
- Single Pick-up Pipe 4.0 mm (61 cm or 24") + Ring Fitting
- Single Pick-up Pipe 4.0 mm (41 cm or 16")
- Single Pick-up Pipe 4.0 mm (66 cm or 26")
- Fuel Pick-up pipe 4 mm W/FTNG 19.5" - Vent fitting 1/2" NPT
- Single Pick-up Pipe 4.0 mm with Return (61 cm or 24")
- Compression Fitting 1/4" NPT
- Compression Fitting 3/8" NPT
- Compression Fitting 1/2" NPT
- Compression FTNG 3/4" NPT
- Compression FTNG 9/16" w/O-ring
- Rubber Seal Ring for Fuel Pick-up Pipe
- Automotive Fuel Pick-up Assembly (48 cm or 18.8")

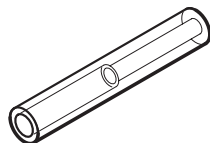


- Black Plastic Fuel Line - ID = 2.0 mm
- White Plastic Fuel Line - ID = 1.5 mm
- White Plastic Fuel Line - ID = 2.0 mm
- Black Rubber Fuel Line - ID = 3.5 mm
- Black Rubber Fuel Line - ID = 5.0 mm



per mtr  
per mtr  
per mtr  
per mtr  
per mtr

Fuel Line Adapter



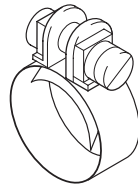
3.5mm to 5mm

	Airtronic D2	Airtronic D4	B1LC compact	B3LC compact	Airtronic D5	D8LC	Hydronic 4, 5, II, 3	Hydronic 10 / M / M-II	Hydronic 16 / 24 / 30 / 35	Part number
Single Pick-up Pipe 2.0 mm Universal <b>RECOMMENDED</b>	■	■	■	■	■	■	■	■	■	20 2900 20 20 10 ①
Single Pick-up Pipe 2.0 mm	■	■	■	■	■	■	■	■	■	20 2900 20 20 42 ⑤
Double Pick-up Pipe 2.0 mm	■	■	■	■	■	■	■	■	■	20 2900 20 20 57 ②
Double Pick-up Pipe 2.0 mm (1/2" NPT)	■	■	■	■	■	■	■	■	■	20 2900 20 21 07 ③
Fuel Pick-up pipe 2 mm W/FTNG	■	■	■	■	■	■	■	■	■	20 2900 20 20 04 ⑦
Dual Vent Fuel Pick-up pipe 2.0 mm	■	■	■	■	■	■	■	■	■	20 2900 20 20 07 ⑩
Fuel Pick-up pipe 2.0 mm with Ring Fitting	■	■	■	■	■	■	■	■	■	20 2900 20 20 11 ④
Single Pick-Up Pipe 4.0 mm universal <b>RECOMMENDED</b>	■	■	■	■	■	■	■	■	■	20 2900 20 20 50 ①
Single Pick-up Pipe 4.0 mm (61 cm or 24") + Ring Fitting	■	■	■	■	■	■	■	■	■	20 2900 20 20 12 ④
Single Pick-up Pipe 4.0 mm (41 cm or 16")	■	■	■	■	■	■	■	■	■	5520001 ⑤
Single Pick-up Pipe 4.0 mm (66 cm or 26")	■	■	■	■	■	■	■	■	■	20 2900 20 20 53 ⑤
Fuel Pick-up pipe 4 mm W/FTNG 19.5" - Vent fitting 1/2" NPT	■	■	■	■	■	■	■	■	■	20 2900 20 40 06 ⑨
Single Pick-up Pipe 4.0 mm with Return (61 cm or 24")	■	■	■	■	■	■	■	■	■	20 2900 20 20 59 ⑥
Compression Fitting 1/4" NPT	■	■	■	■	■	■	■	■	■	20 2900 20 20 44 ⑧
Compression Fitting 3/8" NPT	■	■	■	■	■	■	■	■	■	5520002 ⑧
Compression Fitting 1/2" NPT	■	■	■	■	■	■	■	■	■	5520006 ⑧
Compression FTNG 3/4" NPT	■	■	■	■	■	■	■	■	■	20 2900 20 20 82 ⑧
Compression FTNG 9/16" w/O-ring	■	■	■	■	■	■	■	■	■	5520007 ⑫
Rubber Seal Ring for Fuel Pick-up Pipe	■	■	■	■	■	■	■	■	■	20 2900 20 20 26 ⑦
Automotive Fuel Pick-up Assembly (48 cm or 18.8")	■	■	■	■	■	■	■	■	■	22 1000 20 11 00 ⑪
Black Plastic Fuel Line - ID = 2.0 mm	■	■	■	■	■	■	■	■	■	890 31 125
White Plastic Fuel Line - ID = 1.5 mm	■	■	■	■	■	■	■	■	■	890 31 118
White Plastic Fuel Line - ID = 2.0 mm	■	■	■	■	■	■	■	■	■	890 31 055
Black Rubber Fuel Line - ID = 3.5 mm	■	■	■	■	■	■	■	■	■	360 75 300
Black Rubber Fuel Line - ID = 5.0 mm	■	■	■	■	■	■	■	■	■	360 75 350
Fuel Line Adapter	■	■	■	■	■	■	■	■	■	25 1888 80 01 02

# FUEL SYSTEM

PLEASE NOTE: ■ Refer to Fuel System Guide on page 66, to help plan your fuel system.

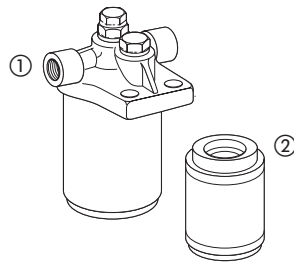
## Clamp



- 7 mm (used with 360 75 300)
- 9 mm (used with 360 75 300)
- 10 mm (used with 360 75 350)
- 11 mm (used with 360 75 350)
- 12 mm
- 14 mm

Airtronic D2	Airtronic D4	B1LC compact	B3LC compact	Airtronic D5	D8LC	Hydronic 4 / 5	Hydronic 10 / M	Hydronic 16 / 24 / 30 / 35	Hydronic M-II	Part number
■	■	■	■	■	■	■	■	■	■	10 2063 00 70 78
■	■	■	■	■	■	■	■	■	■	10 2068 00 90 98
■	■	■	■	■	■	■	■	■	■	10 2068 01 00 98
■	■	■	■	■	■	■	■	■	■	10 2068 01 10 98
■	■	■	■	■	■	■	■	■	■	10 2068 01 20 98
■	■	■	■	■	■	■	■	■	■	10 2068 01 40 98

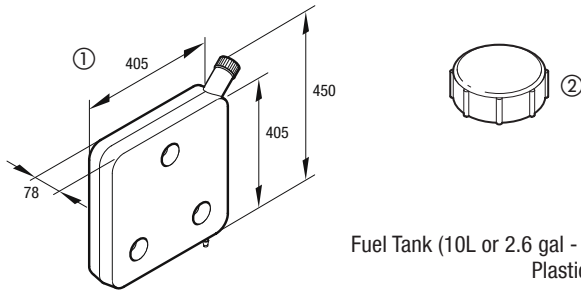
## Fuel Filter Fuel Screen



Fuel Filter  
Fuel Screen

								■		330 00 052 ①
								■		237 00 054 ②

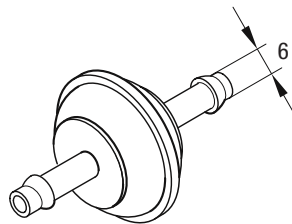
## Plastic Fuel Tank



Fuel Tank (10L or 2.6 gal - Blue)  
Plastic Cap

■	■			■	■	■	■	■		22 1000 20 28 00
■	■			■	■	■	■	■		22 1000 20 22 00

## Plastic Fuel Filter



■	■	■	■	■	■	■	■	■		25 1226 89 00 37
---	---	---	---	---	---	---	---	---	--	------------------

## Measuring cylinders 10 ml

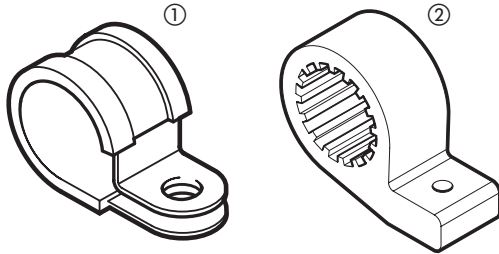


										552 0004
--	--	--	--	--	--	--	--	--	--	----------

# FUEL SYSTEM

PLEASE NOTE: ■ Refer to Fuel System Guide on page 66, to help plan your fuel system.

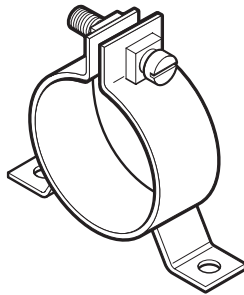
## FMP Clamp and Holder



Clamp 34 mm for Fuel Metering Pump  
 FMP Holder for Noise Reduction (small pumps)  
 FMP Holder for Noise Reduction (large pumps)

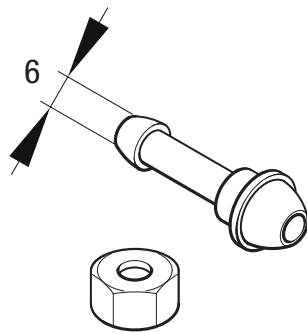
Airtronic D2	Airtronic D4	B1LC compact	B3LC compact	Airtronic D5	D8LC	Hydronic 4 / 5	Hydronic 10 / M	Hydronic 16 / 24 / 30 / 35	Hydronic M-II	Part number
										152 00 200 ①
										22 1000 50 03 00 ②
										22 1000 50 07 00 ②

## Fuel Metering Pump Holder



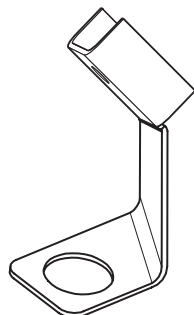
										25 1156 20 00 11
--	--	--	--	--	--	--	--	--	--	------------------

## Fuel Connector Nipple and Nut



										20 2900 20 20 71
--	--	--	--	--	--	--	--	--	--	------------------

## FMP Bracket **RECOMMENDED**



										20 2900 40 01 04
--	--	--	--	--	--	--	--	--	--	------------------

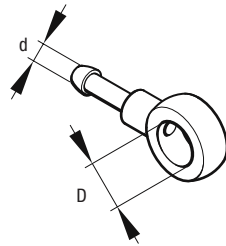
■ unrestricted use    ~ restricted use

- 1
- 1
- 2
- 3

# FUEL SYSTEM

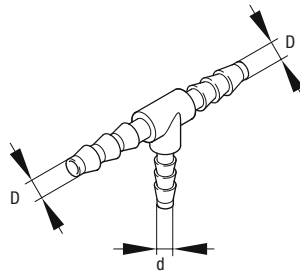
*PLEASE NOTE: ■ Refer to Fuel System Guide on page 66, to help plan your fuel system.*

Banjo fitting



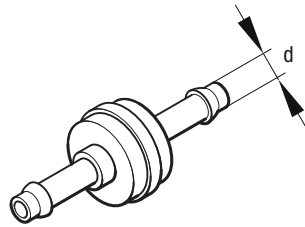
d = 5mm, D = 8mm

Fuel T-piece



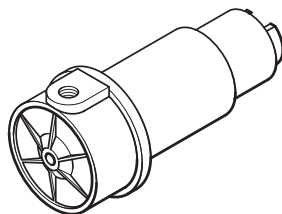
d = 4mm, D = 8mm  
d = 6mm, D = 6mm  
d = 6mm, D = 8mm  
d = 6mm, D = 10mm  
d = 6mm, D = 12mm

One Way Check Valve



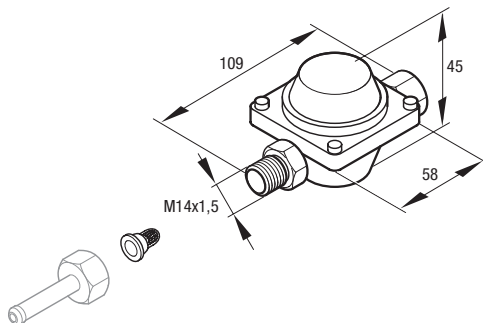
d = 8mm

Auxiliary fuel Pump  
Banjo fitting  
Hollow bolt  
Copper seal 8mm



24V  
8mm (2 required)  
8mm (2 required)  
(4 required)

Pressure Reducer



d = 60 mm

Airtronic D2	Airtronic D4	B1LC compact	B3LC compact	Airtronic D5	D8LC	Hydronic 4 / 5	Hydronic 10 / M	Hydronic 16 / 24 / 30 / 35	Hydronic M-II	Part number
										25 1352 88 00 05
										262 31 155
										262 31 150
										262 31 151
										262 31 152
										262 31 153
										244 31 061
										25 1226 89 83 00
										25 1352 88 00 05
										104 10 008
										323 16 013
										22 1000 20 08 00

■ unrestricted use ~ restricted use