



ARCTIC TRAVELER

1416 GRAHAM'S LANE
BURLINGTON, ONT.
L7S 1W3
TEL: (905) 637-3468 FAX: (905) 637-3363
WWW.ATC.CA

ELECTRIC CONDENSER

MODEL: 6015

PART NUMBER: 891008-12V
891008-24V

CAPACITY: 28,500 BTU/HR

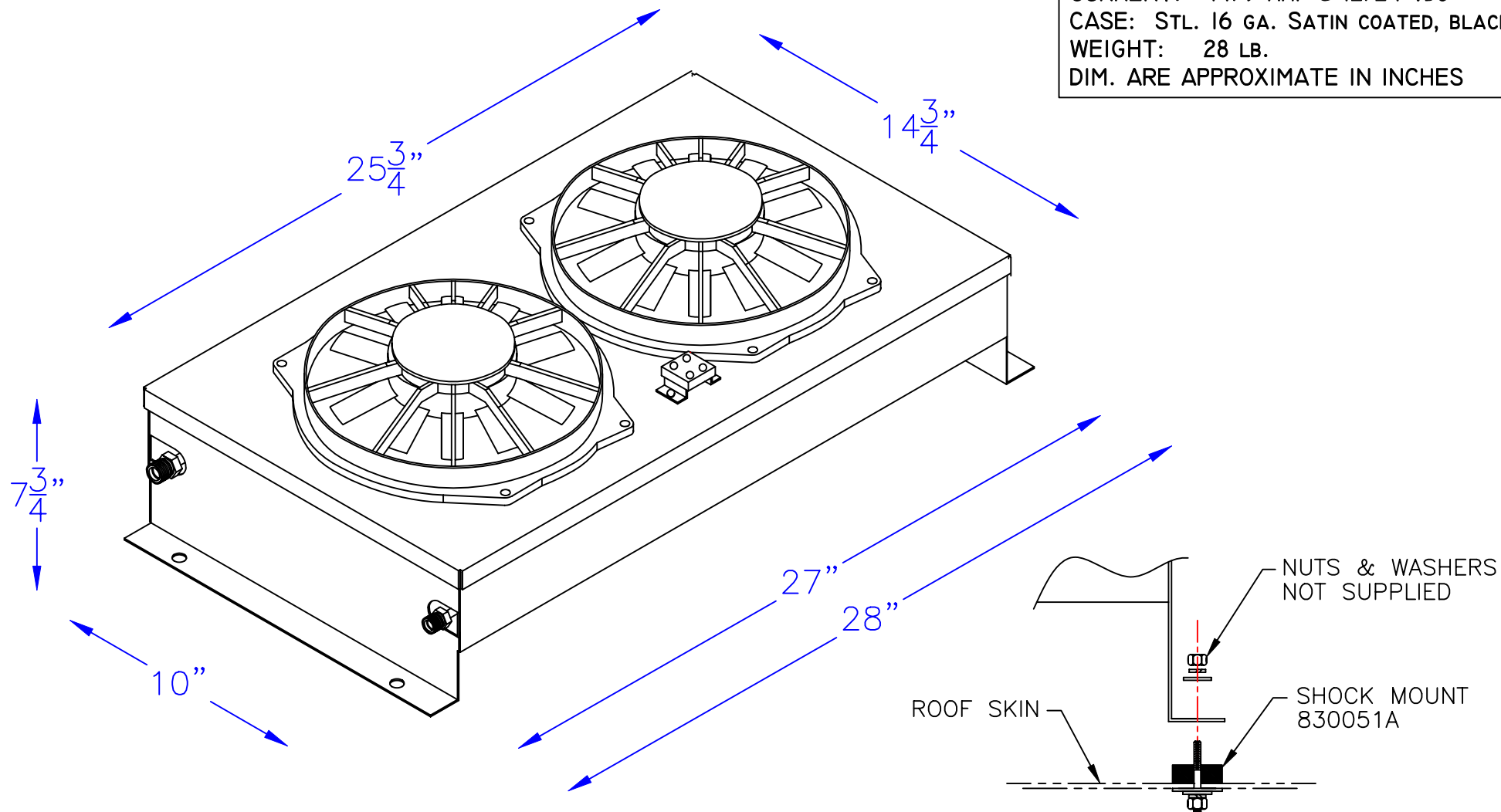
CFM: 1000

CURRENT: 14/9 AMP @ 12/24 VDC

CASE: STL. 16 GA. SATIN COATED, BLACK

WEIGHT: 28 LB.

DIM. ARE APPROXIMATE IN INCHES



OPTIONAL SHOCK MOUNT (HORIZONTAL)

DATE:
JULY 16, 2003

DWG NO:
1010-3D2