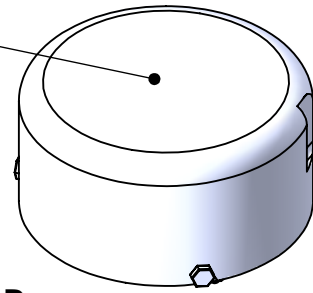




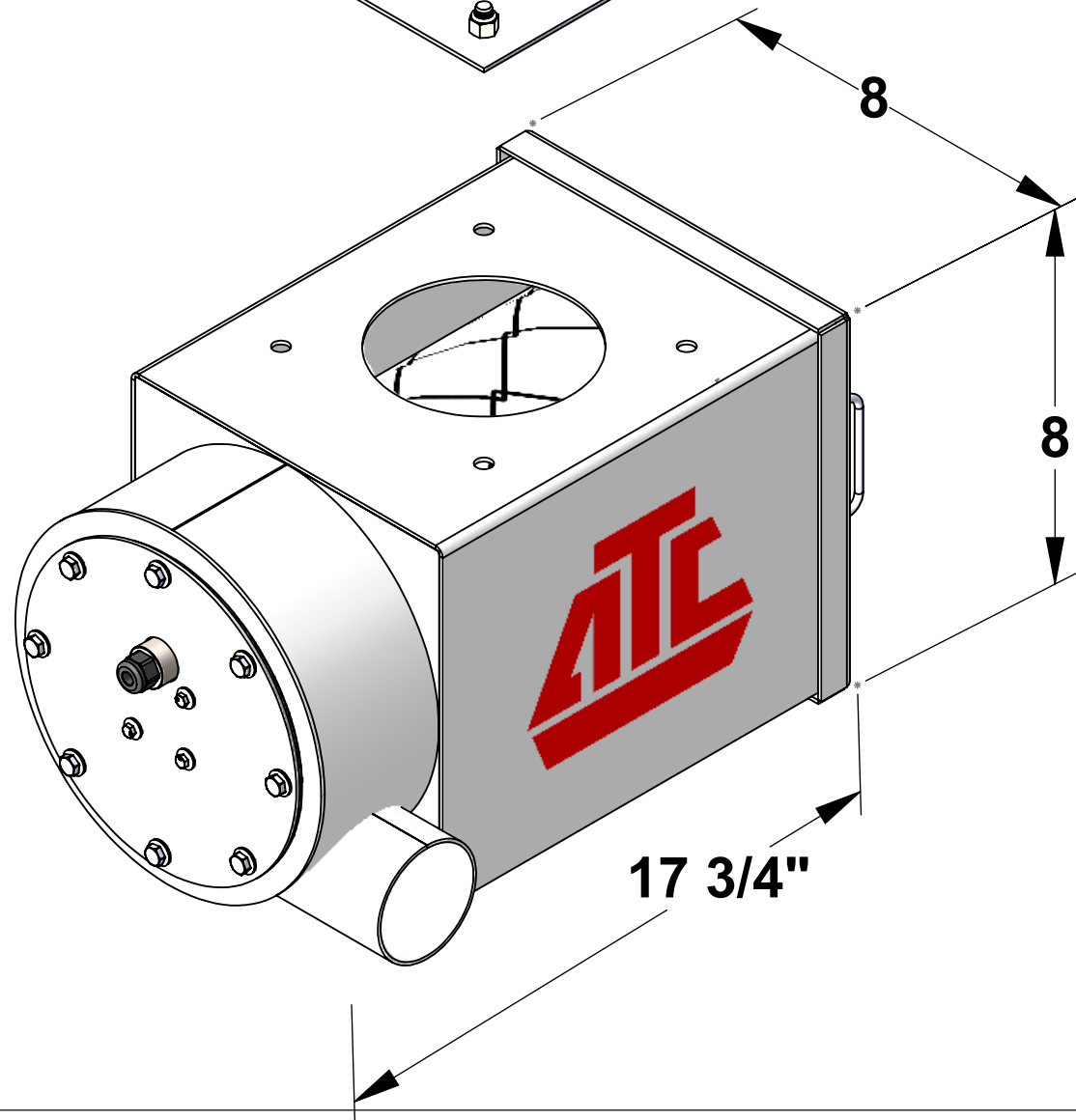
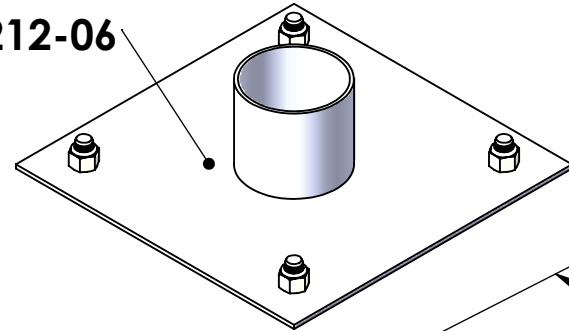
# ARCTIC TRAVELER

1416 GRAHAM'S LANE  
BURLINGTON, ONT.  
L7S 1W3  
TEL: (905) 637-3468 FAX: (905) 637-3363

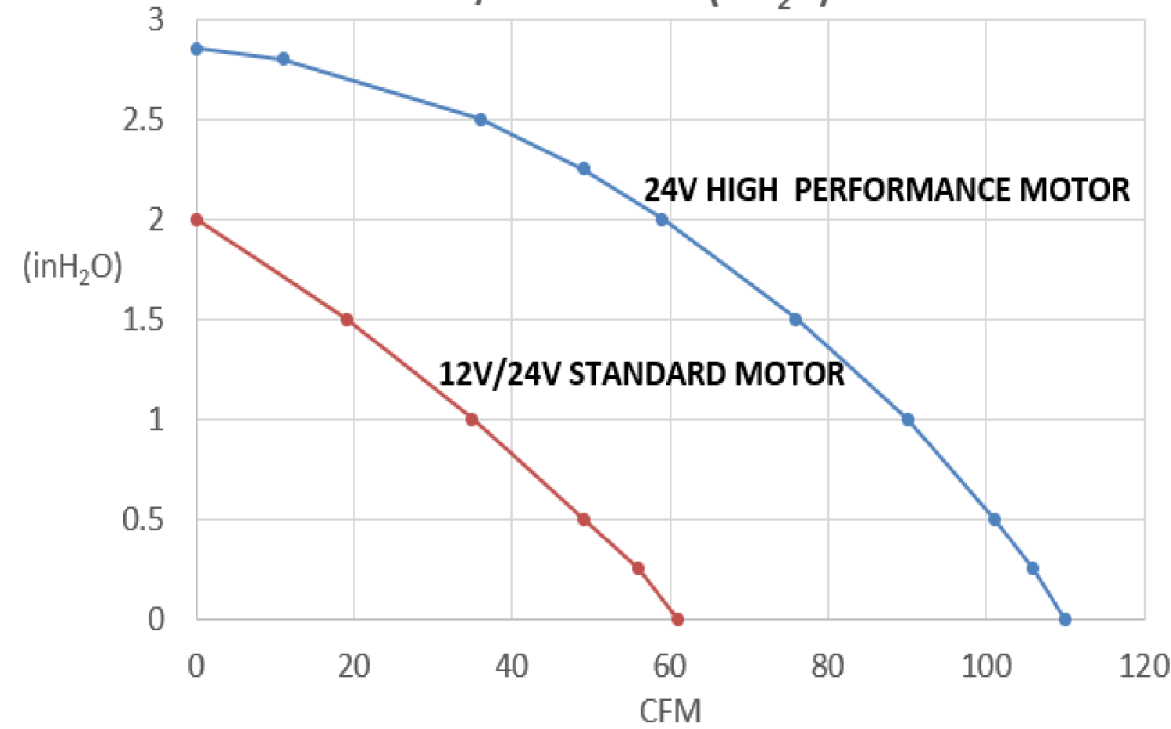
**AIR PRE-CLEANER**  
PART No. 61005



**2 1/2" INLET ADAPTER**  
PART No. Q1212-06



12V/24V MOTOR (inH<sub>2</sub>O) vs CFM



## AIR FILTRATION UNIT

**PART NUMBER:** 896054-24V KIT/  
896052-12V KIT/  
896054-24V KIT-HP

**AIR FLOW:** 50 CFM 100 CFM (HP)

**VOLTAGE OPT. :** 12 VDC / 24 VDC

**CURRENT :** 1.17A @ 24 VDC

2.35A @ 12 VDC

3.22A @ 24 VDC (HP)

**FILTER MIN EFFICENCY :** 99.97% OF

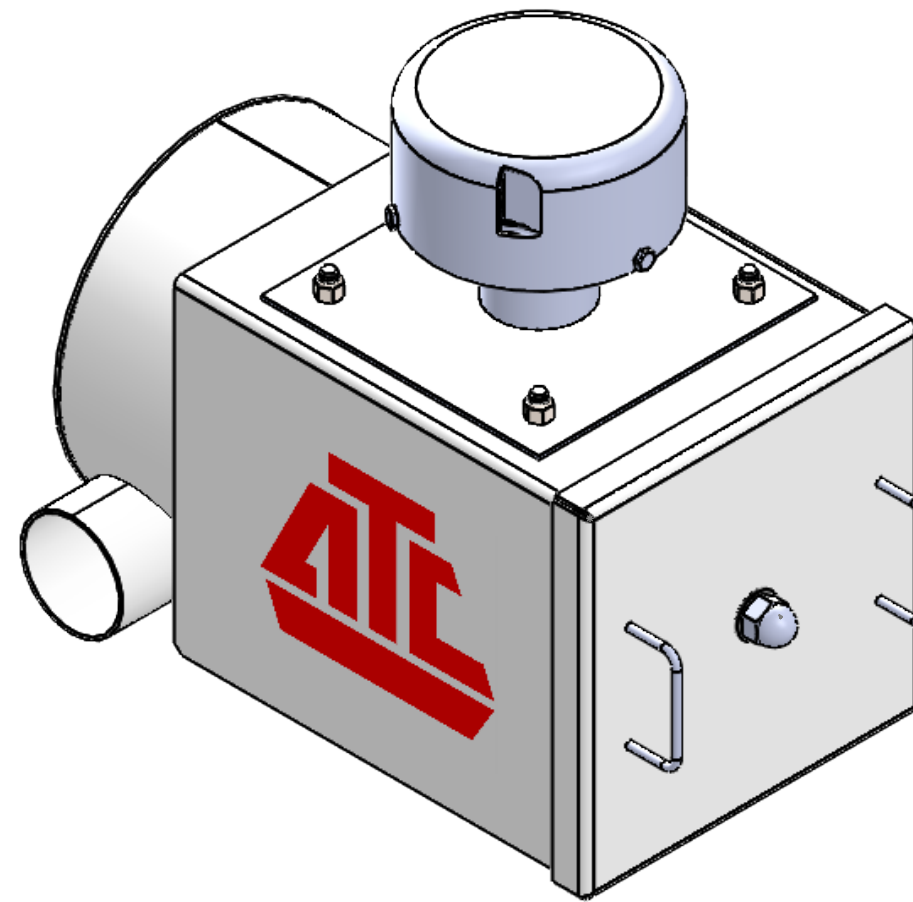
0.3 μm PARTICLES@ 170CFM

**WEIGHT:** 30/13.6 lb/(kg)

**DIM. ARE APPROXIMATE IN INCHES**

### FILTERS (OPTIONAL)

\*HP REPRESENTS THE HIGH PERFORMANCE BLOWER MOTOR



DATE	DWG No.	REV. B
OCT 4, 2017	1212-MARKETING	MAR 1, 2019 PB