

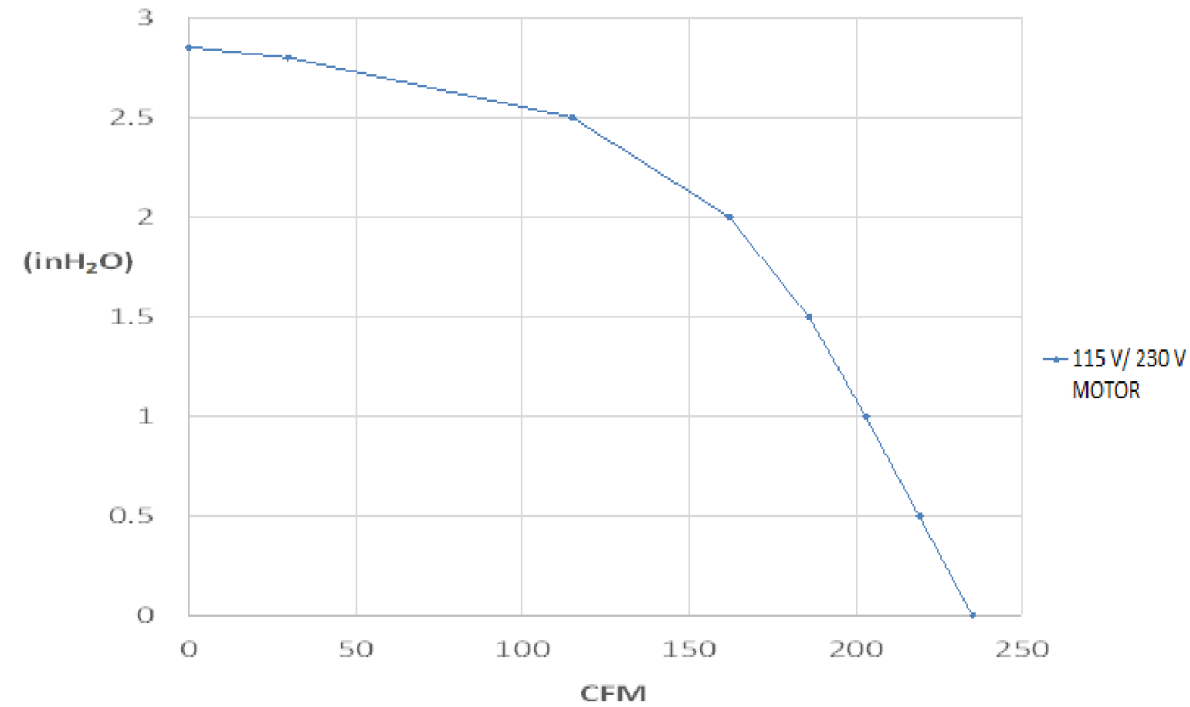


ARCTIC TRAVELER

1416 GRAHAM'S LANE
BURLINGTON, ONT.
L7S 1W3

TEL: (905) 637-3468 FAX: (905) 637-3363

115V/230V MOTOR (inH₂O) vs CFM



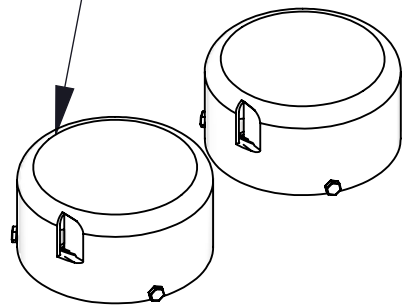
LARGE AIR FILTER

**PART NUMBER: 896068-115V KIT
896068-230V KIT**

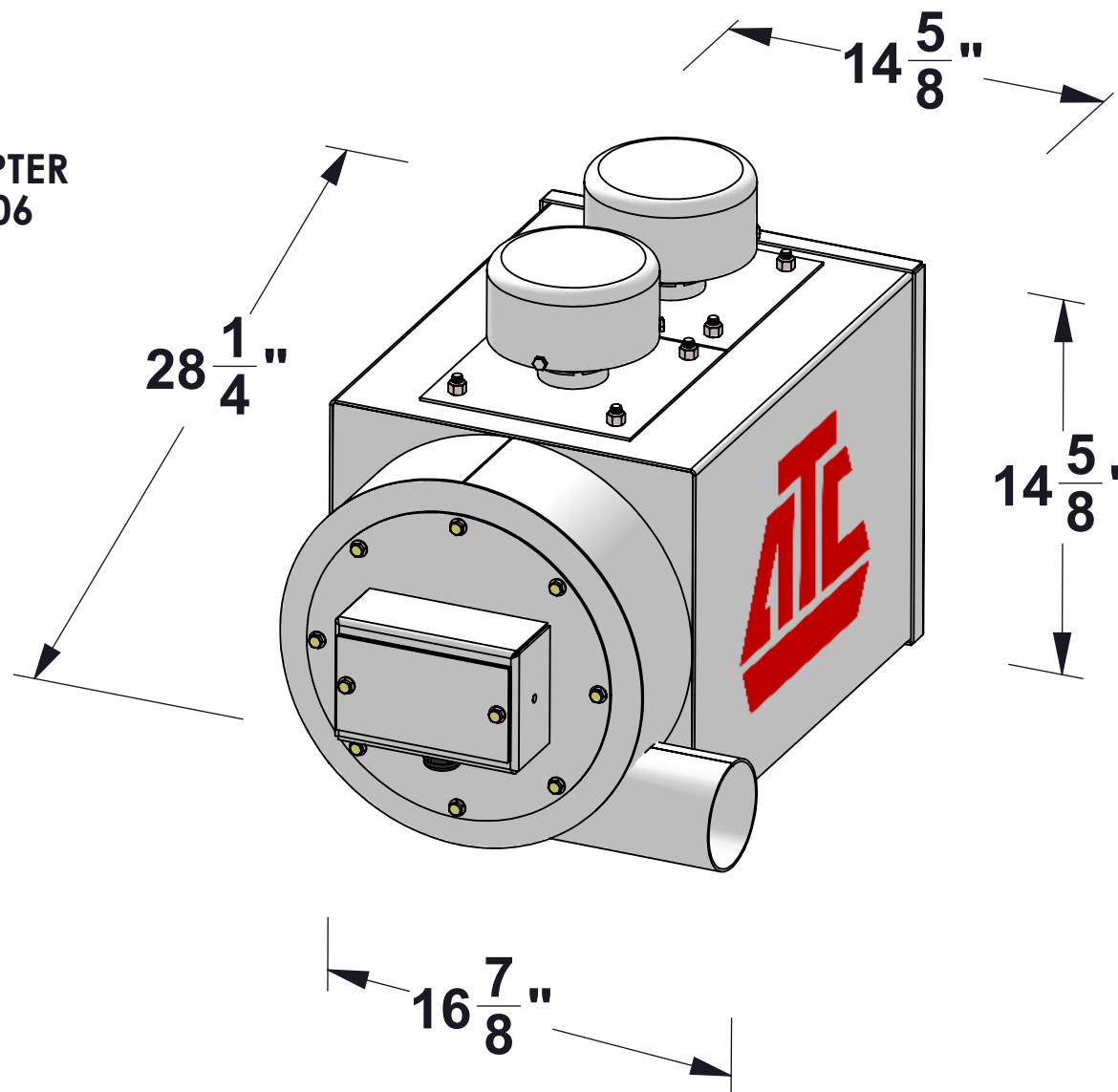
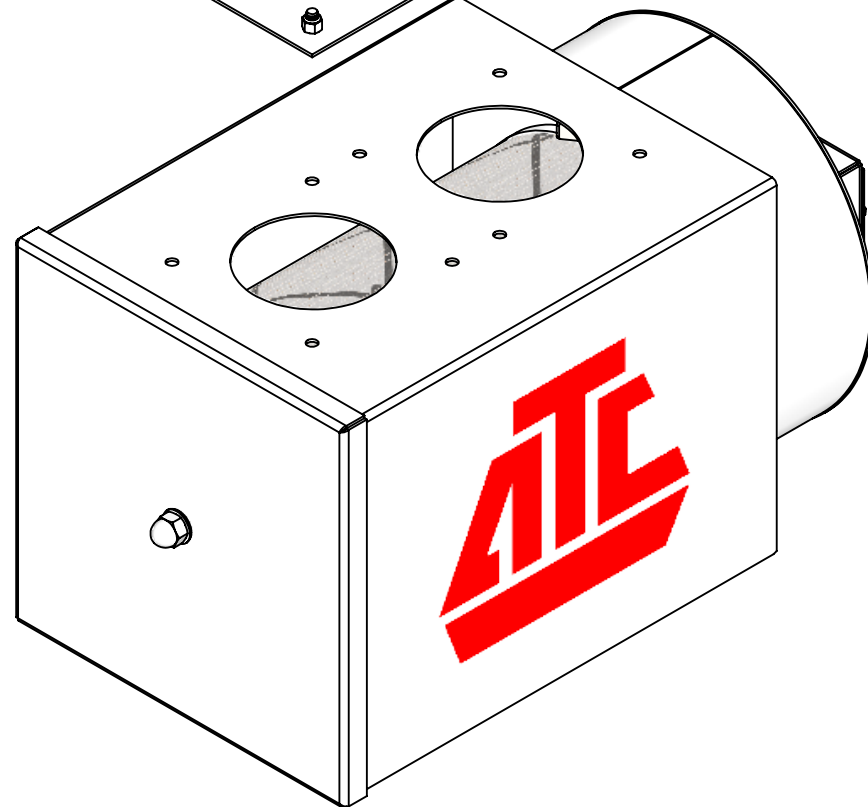
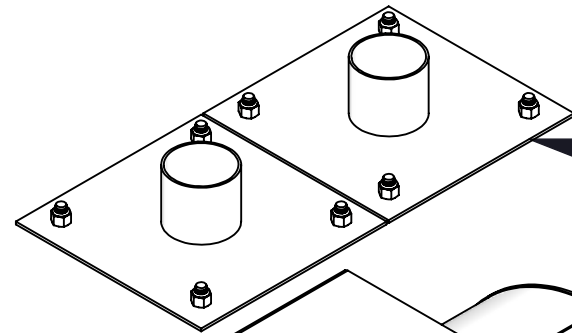
**AIR FLOW : 150 CFM
VOLTAGE OPT. : 115VAC / 230VAC
CURRENT : 1.5A @ 115VAC
0.85A @ 230VAC
FILTER MIN EFFICENCY : 99.97% OF
0.3 μm PARTICLES@ 170CFM
WEIGHT: 54LBS+20LBS FILTER / 24.5KG + 4.5KG
DIM. ARE APPROXIMATE IN INCHES**

FILTERS (OPTIONAL)

**AIR PRE CLEANER
PART No. 61005**



**2 1/2" INLET ADAPTER
PART No. Q1212-06**



DATE	DWG No.	REV. B
OCT 4, 2017	1244-MARKETING	MAR 1, 2019 PB