

Pressurisers

Pressurisers & High Efficiency Filtration Units

EB9P / FVV Series:

Developed for dust saturated environments found in most mining & industrial applications, SIGMA's fresh air filter/pressuriser systems contain two (2) stages of filtration, which efficiently removes sub-micron particulate from outside air. Our systems are fitted with a dedicated motor/blower assembly to introduce outside air into the operator cabin under positive pressure.

The SIGMA system benefits the operator with clean fresh air, which reduces operator fatigue and improves operator comfort and machine productivity.

PVV Series:

Developed for environments containing gaseous or fibrous contaminants, the PVV Series filter/pressuriser systems contain four (4) stages of filtration. The first two (2) stages of filtration efficiently remove sub-micron particulate from outside air, following by stage 3 customized filtration media to remove the specific gaseous or fibrous contaminant and finally stage 4 HEPA filtration.

Once the air has been filtered via the FVV/ EB9P unit it is then passed through a purpose selected media mix that will remove up to 99% of the targeted gaseous contaminants in a single pass. From this filter the air passes through a post filter that catches any dust from the gaseous phase media prior to passing through to the Absolute filter which has a 99.99% efficiency to removal particles 0.3 microns and above.

The unit is designed in a heavy duty GR304 casing that is suitable for mobile applications. The filters can be accessed through a latched top cover for ease of maintenance. The unit can be mounted with the lid in the horizontal (not upside down) or vertical positions.

EB9P Filter & Pressuriser

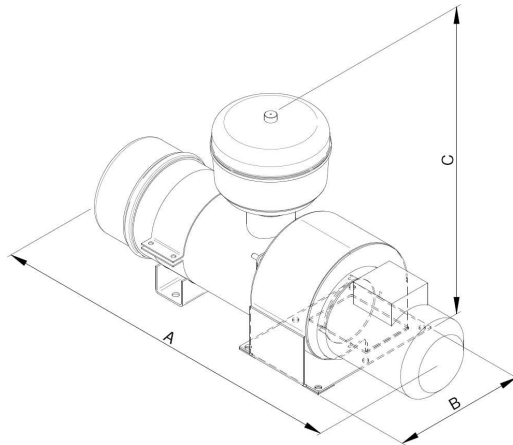


Model No	EB9PX / EB9PXL
Unit Type	Pressuriser & Filter
Power Supply	12 VDC or 24 V DC
Current Draw	1.5 A / 3 A
Weight (nominal)	8 Kg
Supply Air	30 l/s
Fan Speeds	1
Dimension AxBxC (mm)	462 x 364 x 192 (X) 553 x 364 x 192 (XL)
Technical Info	SM 407-5065



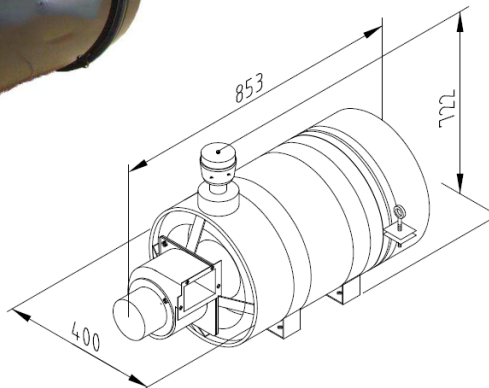
All details provided are for general information only. The technical specifications mentioned in this data sheet may vary according to the specific equipment/options. In the interest of product improvement, Sigma reserves the right to alter specifications without notice. For more Information on the SIGMA range of Air Conditioners, please call one of our offices listed on the last page of this catalogue

FVV50M1 Pressuriser



Model No	FVV50 M1
Unit Type	Pressuriser
Power Supply	415 V AC-3Phase-50Hz
Current Draw	1.3 A
Weight (nominal)	20 kg
Pressurised Supply Air	50 l/s
Dimension AxBxC (mm)	685 x 350 x 210
Design Ambient	Summer 46°C Winter 0°C

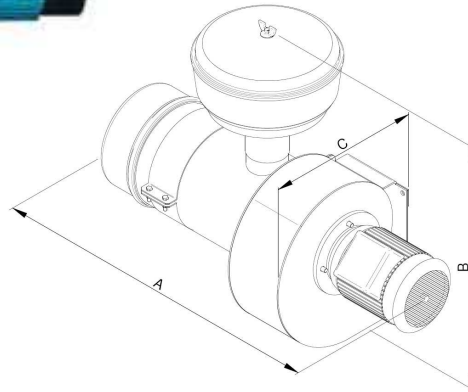
FVV70 Hi-Capacity Filter & Pressuriser



Model No	FVV70
Unit Type	Filter & Pressuriser
Power Supply	12 VDC / 24 VDC
Current Draw	6 A / 3 A
Weight (nominal)	65 kg
Pressurised Supply	70 l/s
Dimension AxBxC (mm)	853 x 400 x 722
Design Ambient	Summer 46°C Winter 0°C

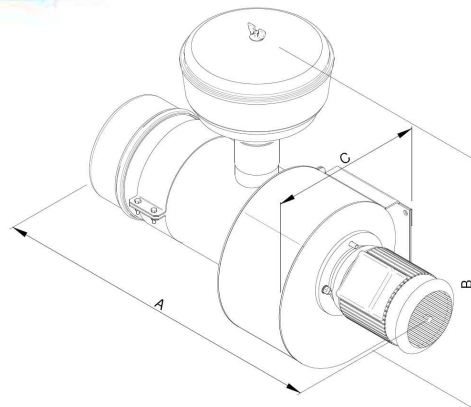
All details provided are for general information only. The technical specifications mentioned in this data sheet may vary according to the specific equipment/options. In the interest of product improvement, Sigma reserves the right to alter specifications without notice. For more Information on the SIGMA range of Air Conditioners , please call one of our offices listed on the last page of this catalogue

FVV80 MR1 Pressuriser



Model No	FVV80 MR1
Unit Type	Pressuriser
Power Supply	415 V AC-3Phase-50Hz
Current Draw	1.3 A
Weight (nominal)	22 Kg
Pressurised Supply Air	80 l/s
Dimension AxBxC (mm)	724 x 587 x 300
Design Ambient	Summer 46°C Winter 0°C

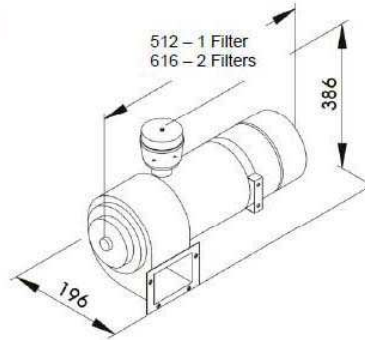
FVV100 MR1 Pressuriser



Model No	FVV100 MR1
Unit Type	Pressuriser
Power Supply	415 V AC-3Phase-50Hz
Current Draw	1.3 A
Weight (nominal)	22 Kg
Pressurised Supply Air	100 l/s
Dimension AxBxC (mm)	755 x 587 x 300
Design Ambient	Summer 46°C Winter 0°C

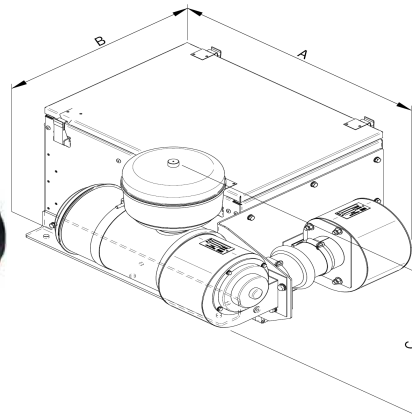
All details provided are for general information only. The technical specifications mentioned in this data sheet may vary according to the specific equipment/options. In the interest of product improvement, Sigma reserves the right to alter specifications without notice. For more information on the SIGMA range of Air Conditioners, please call one of our offices listed on the last page of this catalogue

PVV30 Gaseous Filter & Pressuriser



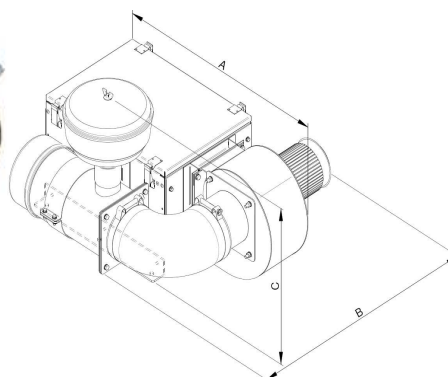
Model No	PVV30
Unit Type	Gaseous Filter & Pressuriser
Primary Filter	Gaseous
Optional	Particulate
Power Supply	12 VDC / 24 VDC
Current Draw	3 A / 1.5 A
Weight (nominal)	60 Kg
Fresh Air	30 l/s
Fan Speed	1
Dimension AxBxC (mm)	616 x196 x 386
Design Ambient	Summer 46°C Winter 0°C

PVV50-24V DC High Efficiency Pressuriser



Model No	PVV50-24VDC
Unit Type	High Efficiency Pressuriser
Stage 1:	Precleaner Style
Stage 2:	Gaseous Phase
Stage 3:	Absolute Filter
Power Supply	24 VDC
Current Draw	3 A
Weight (nominal)	60 Kg
Pressurised Fresh Air	30 l/s
Fan Speed	1
Dimension AxBxC (mm)	695x364x520

PVV50-415V AC High Efficiency Pressuriser



Model No	PVV50-415VAC
Unit Type	High Efficiency Pressuriser
Stage 1:	Donaldson Style
Stage 2:	Gaseous Phase
Stage 3:	Absolute Filter
Power Supply	415 VAC-3phase-50Hz
Current Draw	1.3 A
Weight (nominal)	65 Kg
Pressurised Fresh Air	50 l/s
Fan Speed	1
Dimension AxBxC (mm)	885x759x612

All details provided are for general information only. The technical specifications mentioned in this data sheet may vary according to the specific equipment/options. In the interest of product improvement, Sigma reserves the right to alter specifications without notice. For more Information on the SIGMA range of Air Conditioners , please call one of our offices listed on the last page of this catalogue

Activated Media

We offer a variety of chemical media to provide continuous purification of corrosive, odorous and toxic contaminants in both industrial and mining environments, which are matched to our range of PVV type Pressuriser systems.

Part No	AU480004	AU480010	AU480011
Media Type	MM-1000	MM-3000	MM-9000
Gaseous Removal	Ethylene Sulfur Dioxide Nitrogen Oxide Nitrogen Dioxide	General Volatile Organic Compound	Chlorine Hydrogen Fluoride Hydrogen Sulfide Nitric Acid Nitrous Oxide Sulfuric Acid



For further information regarding the correct chemical media to use in removing contaminants from other environments, please contact our sales team.